

智明電子股份有限公司規格承認書

CHIMING ELECTRONICS CORP SPECIFICATION FOR APPROVAL

地址:新竹市橫山鄉橫山村站前街 58 號 Add: #58 Station Street, Henghan Hsing, Hsinchu Hsien, Taiwan

Tel: 886-3-593-3482 OR 3-593-1851 Fax: 886-3-593-4537 OR 3-593-3238

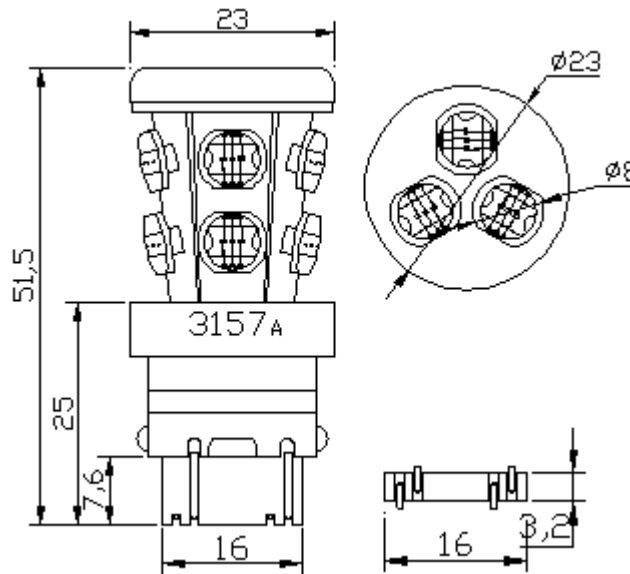
E-mail: att2278@ms71.hinet.net [Http://www.chi-ming.com](http://www.chi-ming.com)

DESCRIPTION:

(A) Electronics and Optical Characteristics: Ta=25°C

PART NO	Emitting Color	Forward Voltage (DC)	Totality Luminous Intensity	Efficacy	Dominant Wavelength	Color Temperature	Single LED Intensity	Viewing Angle
3157-13HP3		Unit: V	Unit: LM Error margin: ±5%	Unit: LM/W	Unit: nm	Unit: K	Unit: mcd (0.5m)	Unit: deg
R	Super Red	14.20	107.6/35.90	43.56/42.85	623~635	1001	5360	120.8
Y	Super Yellow	14.20	63.64/27.34	25.18/33.43	594~600	1462	4004	116.6
G	Ultra Green	14.20	115.14/28.63	47.97/34.49	525~530	7468	10210	179.6
B	Ultra Blue	14.20	24.75/6.756	10.31/8.139	462~455	>=100000	2431	180.0
W	Super White	14.20	113.6/41.47	47.97/50.36	X:0.304Y:0.318	7076	6404	144.7
Test Condition		Power:2.4/0.83W			Current:170/59 ± 10% mA			

Figure:



(B) Absolute Maximum Ratings AT Ta=25°C

PARAMETER	MAX	UNIT
Continuous Forward Current		mA
Peak Forward Current (1/10 Duty Cycle 0.1ms Pulse Width)		mA
Reverse Voltage		V
Operating Temperature Range	-20°C to +50°C	
Storage Temperature Range	-40°C to +100°C	
Lead Solder Temperature 1.6mm Below Package 260°C For 5 seconds		

APPROVED & CHECKED BY: LiHuaping Tested By: LiHuaping Date: 2009/02/06